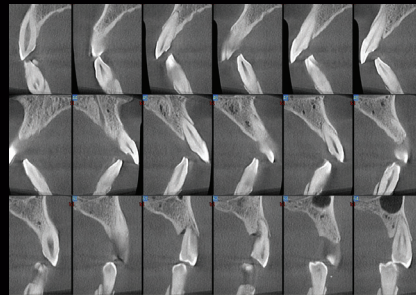
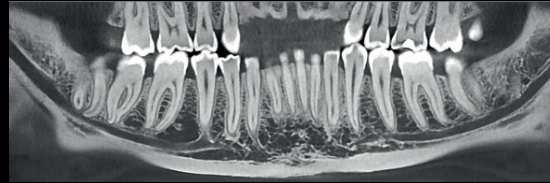
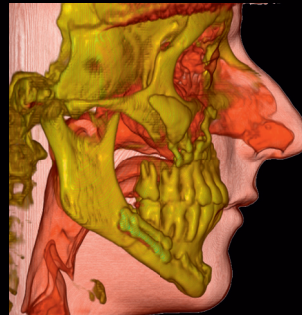




- ❑ Less Than 4 Seconds of Total Exposure
- ❑ Accurate Laser Positioning Tools
- ❑ Open-Environment for Patient Comfort
- ❑ Large Reconstruction Volume
- ❑ Adjustable FOV
- ❑ Wheelchair Accessible



full vertical panel



NewTom VGi takes a complete 360 degree scan that captures an image at every degree while other manufacturers stop at 270 or 300 degrees leading to more scatter and artifacts in the scan. Taking more exposures results in more information and less hypothesizing about actual anatomy.

Focal Spot is a key factor in determining image resolution and quality of the X-ray image.

As the focal spot decreases in size, resolution and the ability to detect detail improve. Ideally, the focal spot would have a diameter close to zero.

Because of its Rotating Anode, NewTom VGi has one of the smallest focal spots available. For even more precise measurements and treatment planning, the new HiRes Zoom feature produces 50% higher image resolution and a 50% reduced slice thickness.

The NewTom VGi also features cross-hair lasers and a mirror – powerful tools for exact horizontal and vertical positioning.

NewTom

Cone Beam 3D Imaging

Specifications NewTom VGi

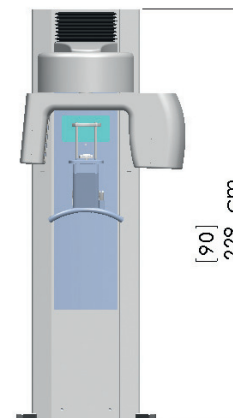
X-ray Source	High frequency, constant potential (DC), rotating anode: 110 kV; 1-20 mA (pulsed mode)					
Focal Spot	0,3 mm (IEC 60336)					
X-Ray Cone Beam	Proprietary SafeBeam™ control reduces radiation based on patient size.					
Effective Dose	100 µSv High Res FullFov, 49 µSv Standard Res Full Fov (ICRP 2007, estimate for adult)					
	18s/26s					
X-ray Emission Time	3,6s in standard mode					
Image Acquisition	360 Images - 360 degree rotation					
Image Detector	Amorphous silicon flat panel, 20 cm x 25 cm (Field of View)					
Signal Grey Scale	14-bit					
Multiples Scan Modes	FOV sizes (cm)		Voxel size options (µm)			
	Diameter	Height				
Standard scan	15	15	300	250	200	150
-	15	12	300	250	200	150
-	12	8	300	250	200	150
Boosted scan	8	8	300	125	200	150
-	12	8	150	125	100	75
HiRes scan	8	8	150	125	100	75
-	6	6	150	125	100	75
Patient Positioning	Standing or seated and wheelchair accessible					
Reconstruction Time	Approximately 1 minute					
Weight	Scanner unit: 600 lb (272 kg), Control box: 220 lb (100 kg)					
Software	NNT™ with free viewer and sharing application					
Power Required	10A @ 100/115V~, 5A @ 200/215/230/240V~, 50/60Hz					

Specifications subject to change without prior notice.

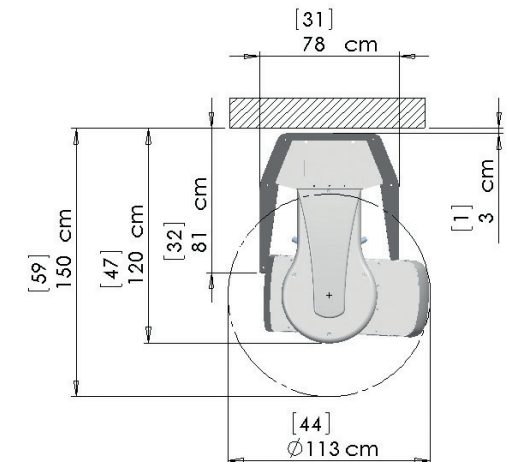
NewTom VGi is the commercial name for a special configuration of the medical device model NewTom VG.

- ❑ Free Viewer and Sharing Application
- ❑ DICOM Conformant
- ❑ Improved Software Integration
- ❑ Small Footprint

FRONT VIEW



PLANT VIEW



CE
0051

SD-D129-11ENG

QR srl

Via Silvestrini 20, 37135 Verona - Italy

Tel. +39 045 8202727 - 583500

Fax +39 045 8203040

info@qrverona.it

www.qrverona.it

NewTom
Cone Beam 3D Imaging